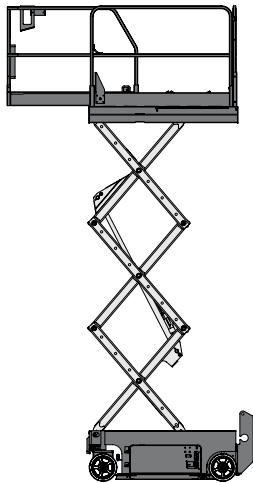


SCISSOR LIFT

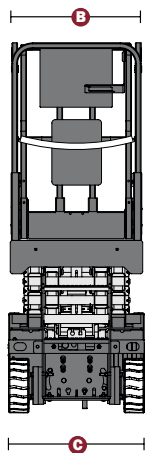
14ft ELECTRIC



- ✓ Ideal for indoors or flat level ground
- ✓ Passes through standard doorways **C**

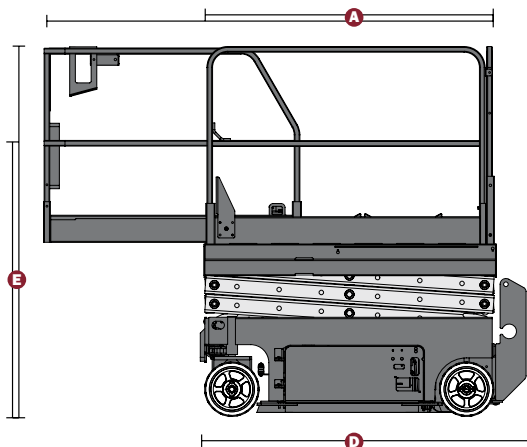
MEASUREMENTS

Working height max	6.3m
Platform height max	4.3 m
Extendable deck	Yes
Folding Rails	Fixed or folding rails
A Platform length - outside / extended	1.58 m / 2.18 m
B Platform width	0.68 m - 0.78 m
C Width	0.78 m
D Length	1.58 m
E Height stowed	rails up - 1.91 m rails folded - 1.55 m
Wheelbase	1.14 m
Ground clearance - center	0.061 m 0.02 m (pothole guards deployed)



PRODUCTIVITY

Lift capacity	230 kg
Gradeability	25% (14°)
Max drive height	full height
Speed	4.0 km/h (Lowered) 0.5 km/h (Elevated)
Raise / lower speed	20 - 23 s
Turning radius - inside / outside	0.1 m / 1.48 m
Power cord to platform	Yes
Tyres	Solid non marking
Charge / Fuel	Charge with standard AC power point
Drive	2WD
MACHINE WEIGHT	920kg



OTHER

Emissions - Fuel	Zero
Emissions - Noise	Low
Towable on a trailer	Yes

* Specifications are indicative only and may vary depending on model.