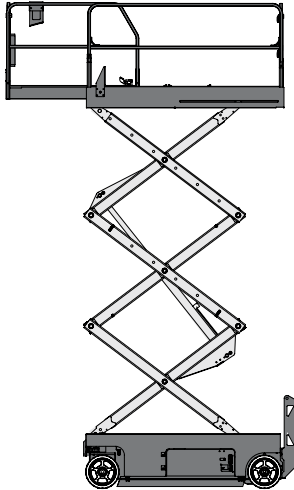


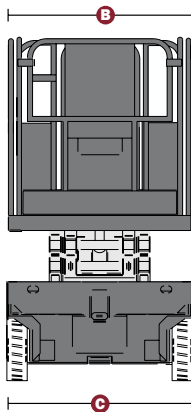
SCISSOR LIFT 46ft ELECTRIC



✓ Ideal for indoors or flat level ground

MEASUREMENTS

Working height max (indoor/outdoor)	15.8 m / 10.5 m
Platform height max (indoor/outdoor)	13.8 m / 8.5 m
Extendable deck	Yes
Folding Rails	Yes
A Platform length - outside / extended	2.68 m / 3.68 m
B Platform width	1.30 m
C Width	1.41 m
D Length	2.78 m 3.68 m (deck extended)
E Height stowed	rails up - 2.60 m rails folded - 1.98 m
Wheelbase	2.22 m
Ground clearance - center	0.095 m 0.025 m (pothole guards deployed)



PRODUCTIVITY

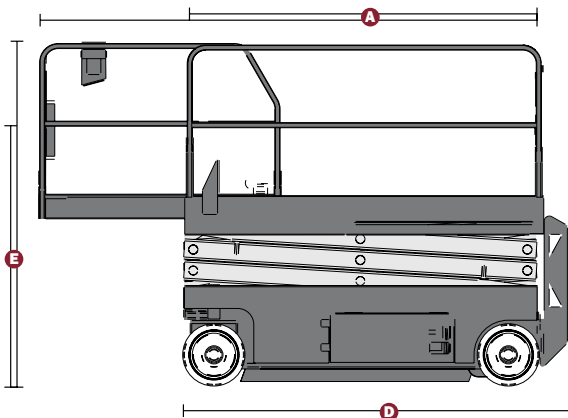
Lift capacity	350 kg
Gradeability	25% (14°)
Max drive height	full height (depending on model)
Speed	4 km/h (Lowered) 0.8 (Elevated)
Raise / lower speed	75 s / 55 s
Turning radius - inside / outside	0 m / 2.64 m
Tyres	Solid non marking
Charge / Fuel	Charge with standard AC power point
Drive	2WD
MACHINE WEIGHT	3,660 kg

OTHER

Emissions - Fuel	Zero
Emissions - Noise	Low
Towable on a trailer	No

ATTACHMENTS

Pipe Racks, Panel Lifter



* Specifications are indicative only and may vary depending on model.