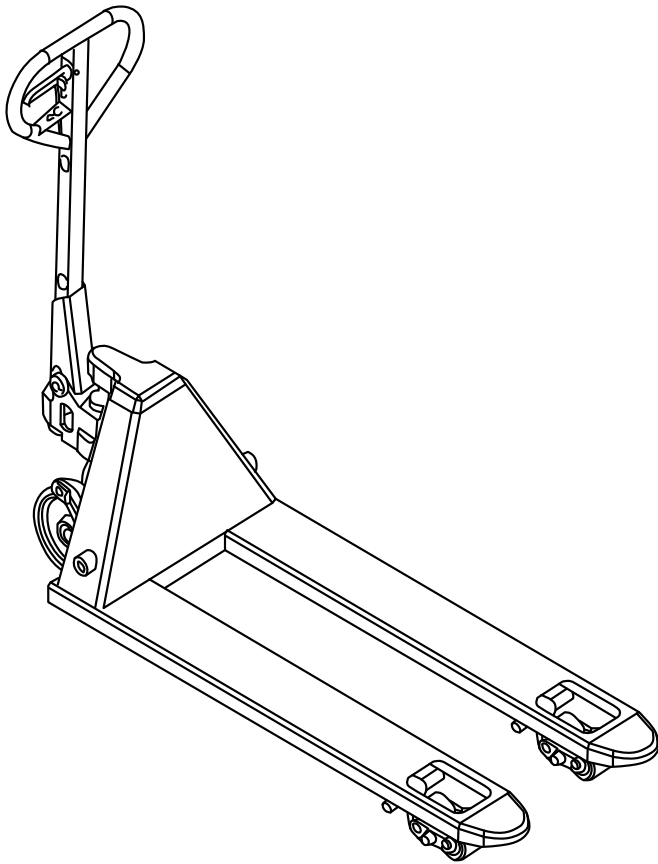




PALLET JACK

1.5 tonne ELECTRIC



- ✓ Hand operated
- ✓ Ideal for use with standard size pallets
- ✓ Electric Lift and drive

MEASUREMENTS

Load Capacity	1,500 kg
Lift	115 mm
Length	1,150 mm
Width	685 mm
UNIT WEIGHT	164 kg

OTHER FEATURES

Strong torsion-resistant steel construction

Anti-collision switch

Lead in/Lead-out rollers under the fork tips enabling pallets to be entered with ease

* Specifications are indicative only and may vary depending on model.