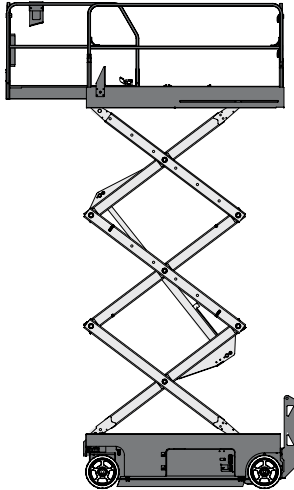


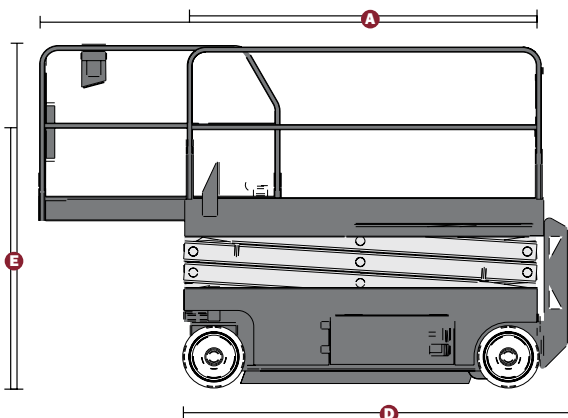
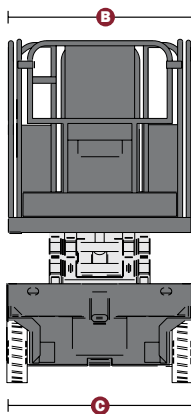
## SCISSOR LIFT 26ft ELECTRIC



✓ Ideal for indoors or flat level ground

### MEASUREMENTS

Working height max	9.92 - 10.15 m
Platform height max	7.90 - 8.15 m
Extendable deck	Yes
Folding Rails	Yes
<b>A</b> Platform length - outside / extended	2.26 - 2.50 m / 3.18 - 3.23 m
<b>B</b> Platform width	1.12 - 1.2 m
<b>C</b> Width	1.17 - 1.20 m (depending on model)
<b>D</b> Length	2.41 - 2.49 m 3.31 - 3.41 m (platform extended)
<b>E</b> Height stowed	rails up - 2.26 - 2.36 m rails folded - 1.68 - 1.97 m
Wheelbase	1.86 - 2.09 m
Ground clearance - center	0.10 m 2.5 m (pothole guards deployed)



### PRODUCTIVITY

Lift capacity	450 - 454 kg
Gradeability	23% (12.95°) - 30% (16.70°)
Max drive height	7.92 m / full height (depending on model)
Speed	2.9 - 3.5 km/h (Lowered) 0.8 km/h (Elevated)
Raise / lower speed	32 / 42 s
Turning radius - inside / outside	0 m / 2.5 m
Power cord to platform	Yes (depending on model)
Tyres	Solid non marking
Charge / Fuel	Charge with standard AC power point
Drive	2WD
<b>MACHINE WEIGHT</b>	2,330 - 2,600 kg

### OTHER

Emissions - Fuel	Zero
Emissions - Noise	Low
Towable on a trailer	No

### ATTACHMENTS

Pipe Racks	
Panel Lifter (suites JLG only)	

\* Specifications are indicative only and may vary depending on model.