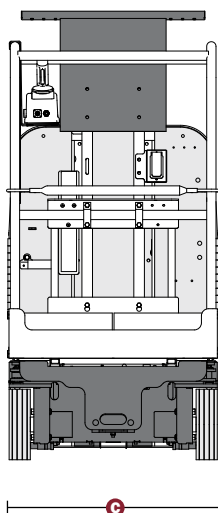
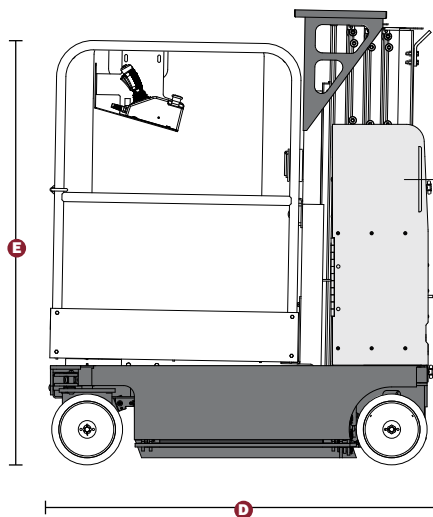
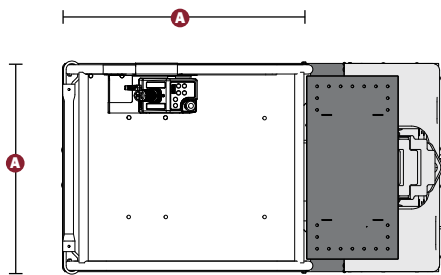




VERTICAL MAST LIFT GR20



- ✓ Ideal for indoors or flat level ground
- ✓ Ideal for compact / confined spaces
- ✓ Suitable for sensitive floors
- ✓ Passes through standard doorways & most passenger elevators **C**

MEASUREMENTS

Working height max	8.07 m
Platform height max	6.07 m
Horizontal outreach max	0.51 m (extension deck)
Extendable deck	Extendable deck
A Platform size - outside / extended	0.89 x 0.75 m / 1.40 x 0.75 m
C Width	0.80 m
D Length	1.35 m
E Height stowed	rails up - 1.99 m

PRODUCTIVITY

Lift capacity	159 kg (113 kg on extension deck)
Gradeability	30% (16.70°)
Max drive height	Full height
Speed	4.0 km/h (Lowered) 0.8 km/h (Elevated)
Raise / lower speed	24 / 21 s
Turning radius - inside / outside	0 / 1.42 m
Power cord to platform	Yes
Tyres	Non marking
Charge / Fuel	Charge with standard AC power point
Drive	2WD
MACHINE WEIGHT	1,112 - 1,150kg (depending on model)

OTHER

Emissions - Fuel	Zero
Emissions - Noise	Zero
Towable on a trailer	Yes

* Specifications are indicative only and may vary depending on model.