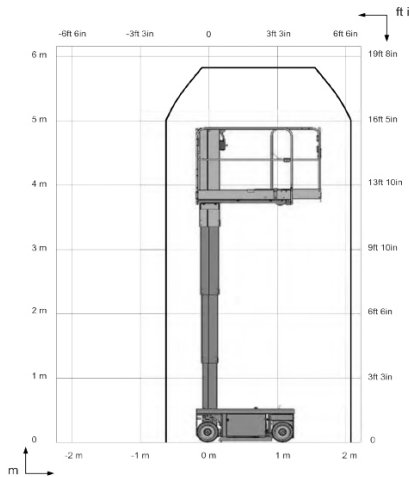




# VERTICAL MAST LIFT

## STAR 6



- ✓ Ideal for indoors or flat level ground
- ✓ Ideal for compact / confined spaces
- ✓ Suitable for sensitive floors
- ✓ Passes through standard doorways & most passenger elevators **C**

### MEASUREMENTS

Working height max	5.8 m
Platform height max	3.8 m
Horizontal outreach max	0.4 m (extension deck)
Extendable deck	Slide out deck
<b>A</b> Platform size - outside / extended	0.77 x 1.38 m
<b>C</b> Width	0.79 m
<b>D</b> Length	1.4 m
<b>E</b> Height stowed	rails up - 1.75 m

### PRODUCTIVITY

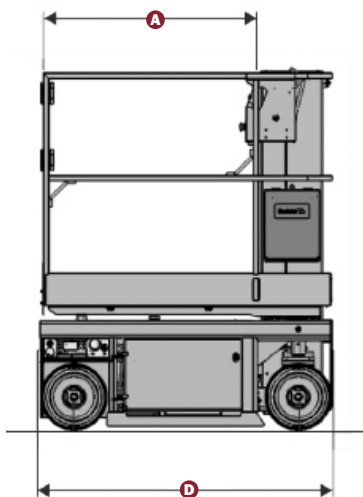
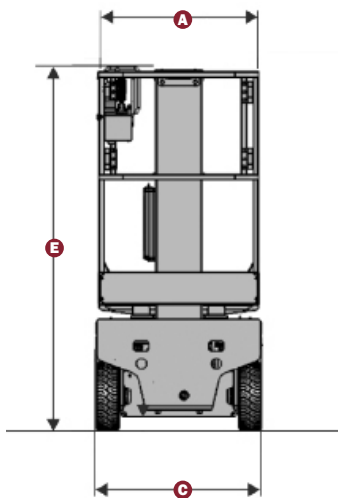
Lift capacity	230 kg
Gradeability	25% (14.04°)
Max drive height	Full height
Speed	4.5 km/h (Lowered) 0.8 km/h (Elevated)
Raise / lower speed	—
Turning radius - inside / outside	1.7 m (outside)
Power cord to platform	Yes
Tyres	Non marking
Charge / Fuel	Charge with standard AC power point
Drive	2WD
<b>MACHINE WEIGHT</b>	880 kg

### OTHER

Emissions - Fuel	Zero
Emissions - Noise	Zero
Towable on a trailer	Yes

### OTHER FEATURES

Tilt alarm 1.5° / 3°



\* Specifications are indicative only and may vary depending on model.