

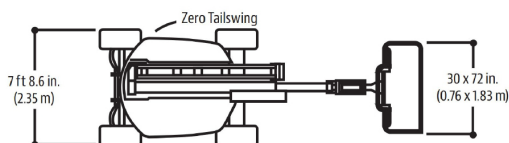
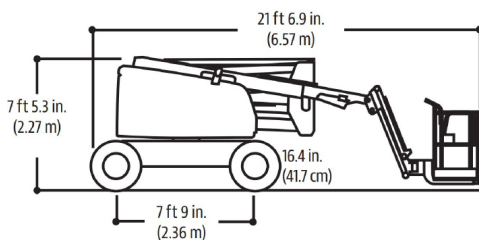
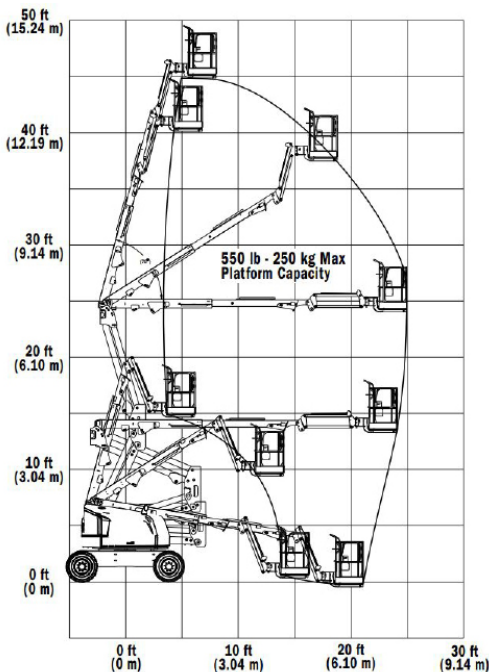
# DURALIFT

ELEVATED WORK PLATFORM HIRE

## SPECIFICATION SHEET

# KNUCKLE BOOM

15m/45ft DIESEL



## SPECIFICATIONS

### MEASUREMENTS

Platform Height (max.)	13.72m
Working Height	15.72m
Platform Rotation Angle	170°
Jib Raise Angle	75°
Jib Lower Angle	70°
Jib Articulation Range	145°
Maximum Horizontal Outreach	7.47m
Platform Capacity	230kg
Slewing Angle	360°
Continuous Slew	No
Stowed Length	6.53m
Stowed Height	2.30m
Overall Width	2.08m
Wheelbase	1.98m
Ground Clearance	0.36m
Platform Width	1.83m
Platform Length	0.76m
Overall Jib Length	1.24m
Tail swing	0m
Axle Oscillation	Std

### PRODUCTIVITY

Tyre Size	12 x 16.5
Tyre Type	Urethane Filled
Inside Turn Radius	1.73m
Outside Turn Radius	4.27m
Gradeability	45%
Drive Speed - 4WD	7.2km/h
Maximum Ground Bearing Pressure	5.48kg/cm <sup>2</sup>
Fuel Tank Capacity	62.5 L
Hydraulic Tank Capacity	113.6 L

### WEIGHT

Operating Weight	7,430kg
------------------	---------