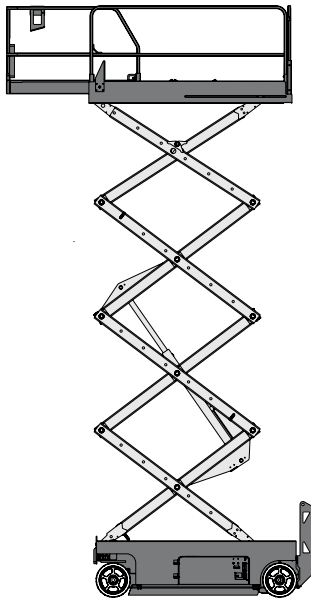




SCISSOR LIFT

40ft NARROW ELECTRIC



- ✓ Ideal for indoors or flat level ground
- ✓ Overall machine width of just 1.2 m **C**

MEASUREMENTS

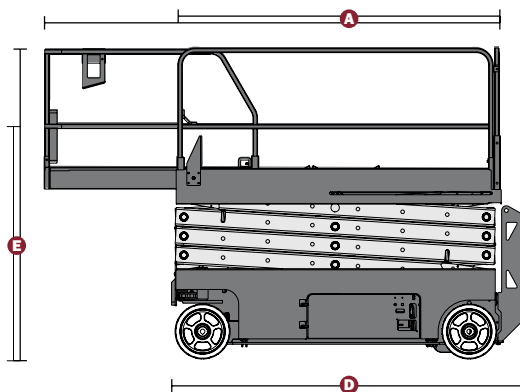
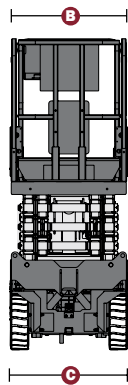
Working height max	13.70 - 13.80 m
Platform height max	11.70 - 11.80 m
Extendable deck	Yes
Folding Rails	Yes
A Platform length - outside / extended	2.49 m / 3.38 m
B Platform width	1.16 - 1.2 m
C Width	1.19 - 1.2 m
D Length	2.49 m 3.41 m (deck extended)
E Height stowed	rails up - 2.54 m rails folded - 1.96 - 2.08 m
Wheelbase	1.86 m
Ground clearance - center	0.10 m
	0.02 m (pothole guards deployed)

PRODUCTIVITY

Lift capacity	350 kg
Gradeability	23% (12.95°) - 25% (14°)
Max drive height	Full height
Speed	2.7 km/h (Lowered) 0.9 km/h (Elevated)
Raise / lower speed	61 / 50 s
Turning radius - inside / outside	0 m / 2.38 m
Power cord to platform	Yes
Tyres	Non marking
Charge / Fuel	Charge with standard AC power point
Drive	2WD
MACHINE WEIGHT	3,168 - 3,222 kg

OTHER

Emissions - Fuel	Zero
Emissions - Noise	Low
Towable on a trailer	No



* Specifications are indicative only and may vary depending on model.