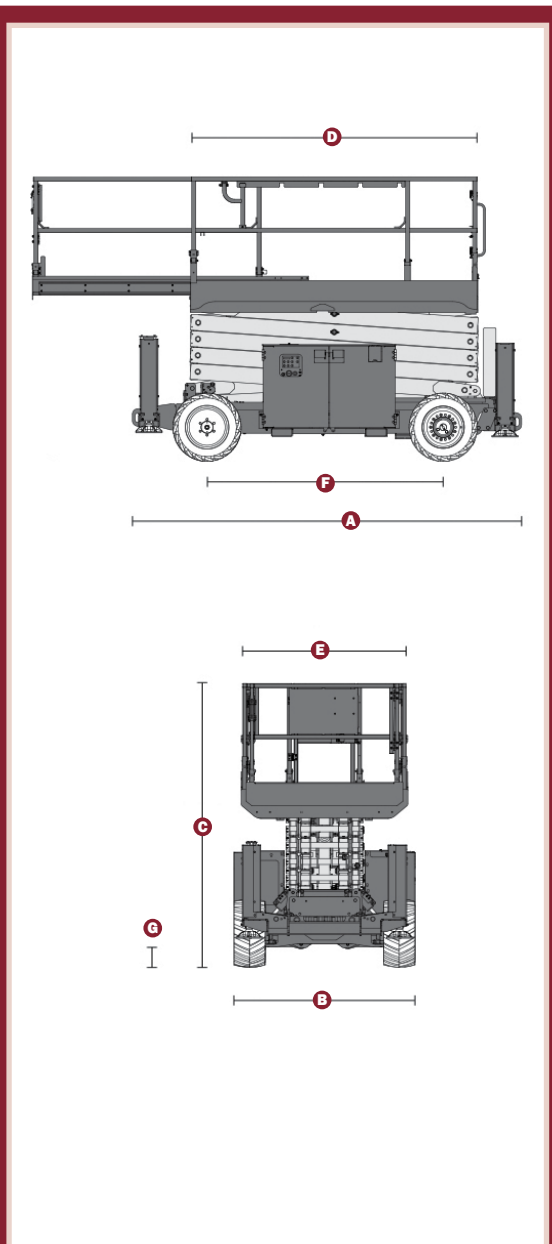


ELEVATED WORK PLATFORM HIRE

## SPECIFICATION SHEET

# SCISSOR LIFT

14m/40ft DIESEL



## SPECIFICATIONS

### MEASUREMENTS

Working height	14.12 m
Platform height	12.12 m
Platform capacity	363 kg
<b>A</b> Length	3.76 m
<b>B</b> Width	1.75 m
<b>C</b> Stowed height	2.74 m
Stowed height (rails folded)	2.08 m
<b>D</b> Platform length	2.79 m
Platform extension	1.52 m
<b>E</b> Platform width	1.60 m
<b>F</b> Wheelbase	2.29 m
<b>G</b> Ground clearance	.24 m

### PRODUCTIVITY

Drive height	14.12 m
Drive speed (Raised - Stowed)	0.5 - 5.6 km/h
Outside turning radius	4.6 m
Lift / lower speed (s)	69 / 46 sec.
Gradeability	30%
Outrigger levelling - Front	5.3°
- Back	4.2°
- Side to side	11.7°
Tyres (rough terrain non-marking)	30 x 66 cm
Fuel tank capacity	37.9 L

### WEIGHT

Weight	5,101 kg
--------	----------