

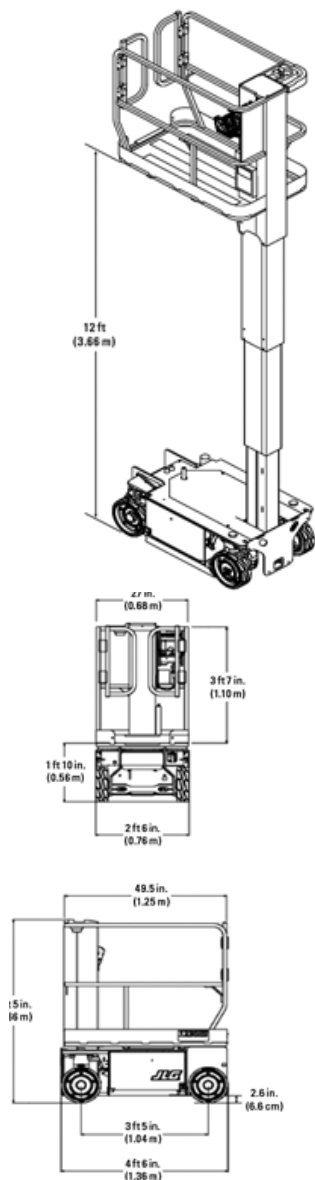
DURALIFT

ELEVATED WORK PLATFORM HIRE

SPECIFICATION SHEET

MAST LIFT

5.6m/1230es



SPECIFICATIONS

MEASUREMENTS

Platform Height (max.)	3.66m
Working Height	5.66m
Stowed Length	1.36m
Stowed Height	1.66m
Width	0.76m
Wheelbase	1.04m
Ground Clearance	0.06m
Standard Platform Type	Steel
Platform Size	1.25 x 0.68m
Platform Entry Height	0.56m

POWER

Power Source	Electric DC
DC Voltage	24V
DC Power	225 Amp hr
Batteries	4 x 6V
Auxiliary Lowering	Manual
Drive Motor - Type	Shunt Wound Electric
Hydraulic Pump - Type	Gear

PRODUCTIVITY

Lift Time	12 sec
Lower Time	12 sec
Platform Capacity	230kg
Tyre Size	323 x 100
Tyre Type	Solid/Non-marking
Inside Turn Radius	0.13m
Outside Turn Radius	1.46m
Drive Speed Elevated	0.8km/h
Gradeability	25%
Indoor Rating Persons on Platform	1
Wind Rating	0m/sec
Elevated Drive Time	22 hr
Maximum Ground Bearing Pressure	8.65kg/cm ²
Hydraulic Tank Capacity	7.10 Ltr

WEIGHT

Operating Weight	790kg
------------------	-------



www.duralift.com.au



1300 580 580